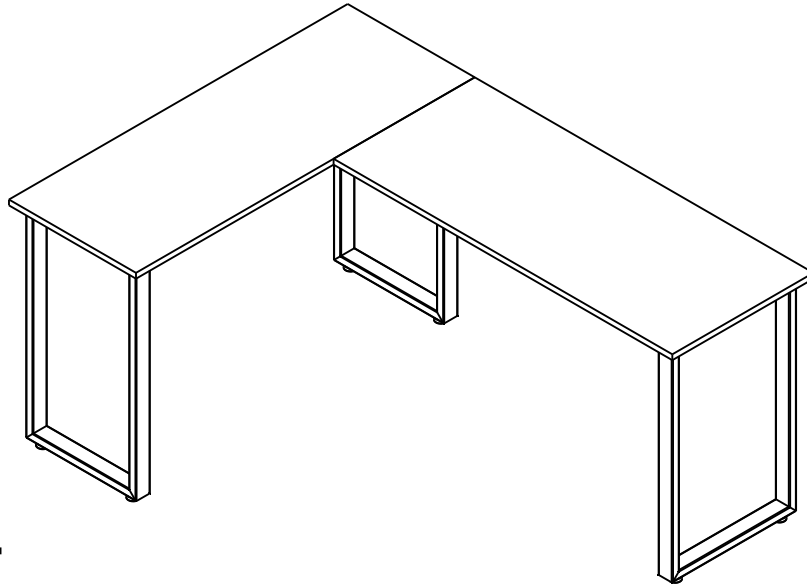


# INSTRUCTIONS/ANLEITUNG/VEJLEDNING INSTRUCTIES/INSTRUKCE

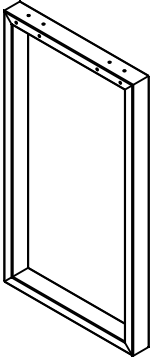
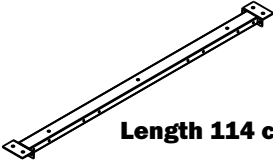
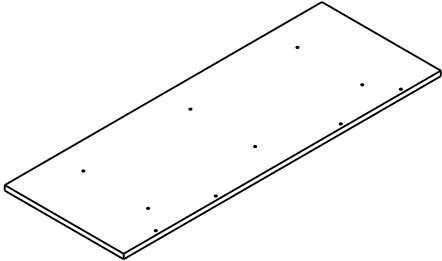
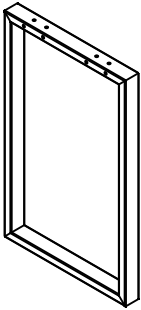
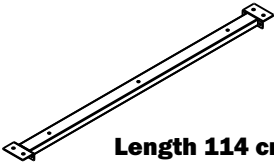
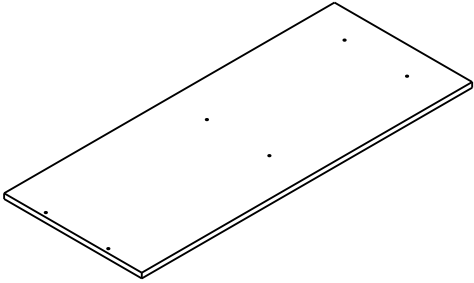
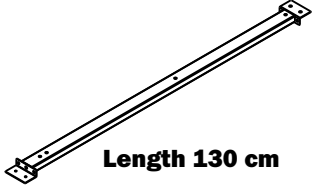
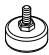


www.twincodk.com  
www.twincochina.com



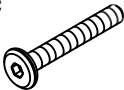
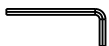
6935 Corner Desk



## ▀ PARTS LIST

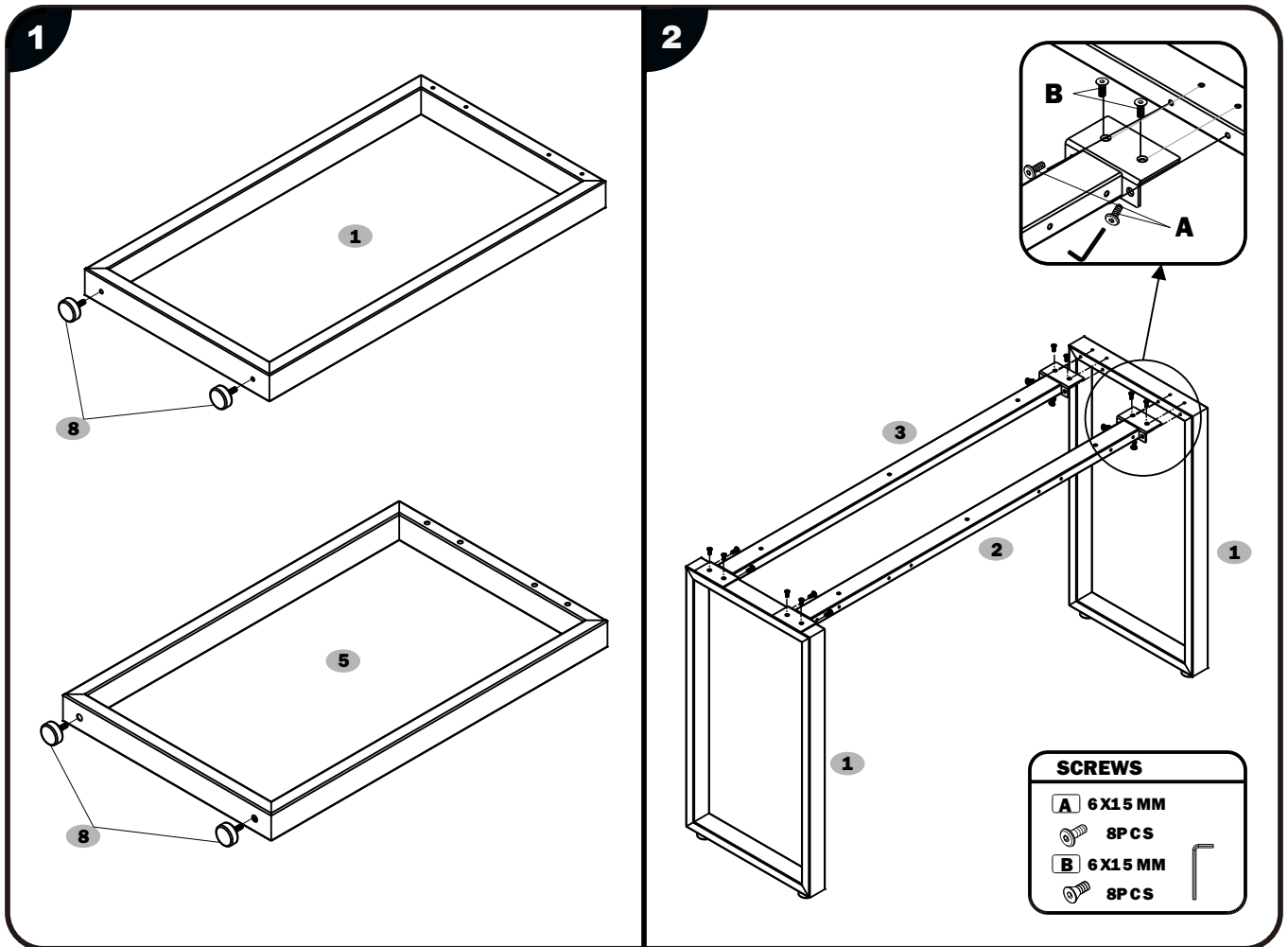
 <b>1</b> <b>39x71 cm</b> <b>X 2</b>	 <b>2</b> <b>Length 114 cm</b> <b>X1</b>	 <b>4</b> <b>120x45 cm</b> <b>X1</b>
 <b>5</b> <b>44x71 cm</b> <b>X1</b>	 <b>3</b> <b>Length 114 cm</b> <b>X1</b>	 <b>7</b> <b>120x50 cm</b> <b>X1</b>
	 <b>6</b> <b>Length 130 cm</b> <b>X2</b>	
	 <b>8</b> <b>X6</b>	

## ▀ SCREWS LIST

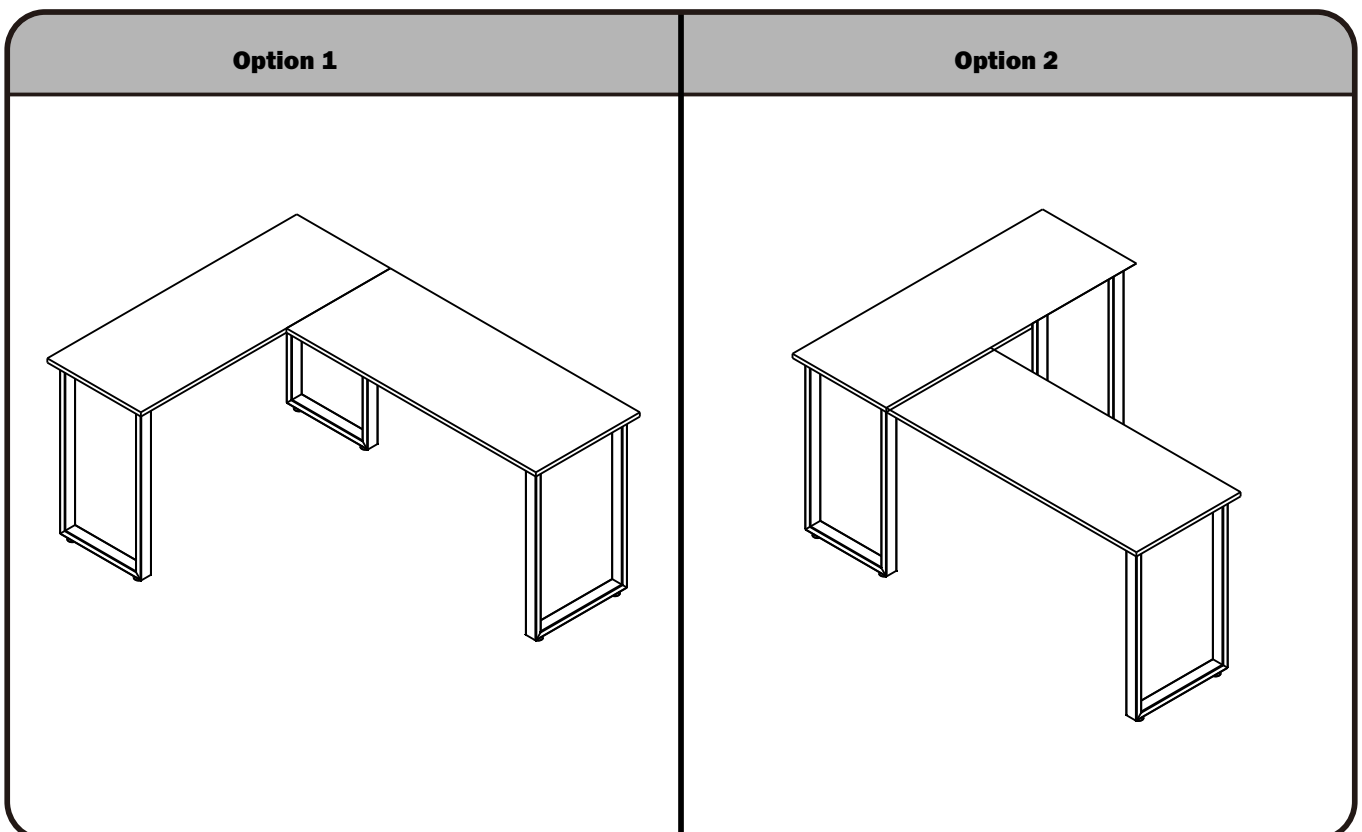
 <b>A</b> <b>6x15 mm</b> <b>x20</b>	 <b>B</b> <b>6x15 mm</b> <b>Countersink head</b> <b>x12</b>	 <b>C</b> <b>6x40 mm</b> <b>x14</b>	 <b>D</b> <b>x1</b>
---------------------------------------------------------------------------------------------------------------------------------	------------------------------------------------------------------------------------------------------------------------------------------------------------	---------------------------------------------------------------------------------------------------------------------------------	--------------------------------------------------------------------------------------------------------------



**Do not tighten the screws before all screws are in place.**

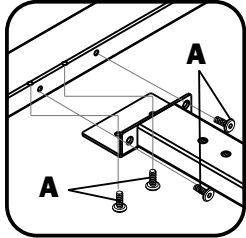
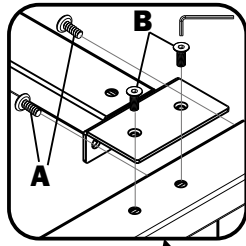
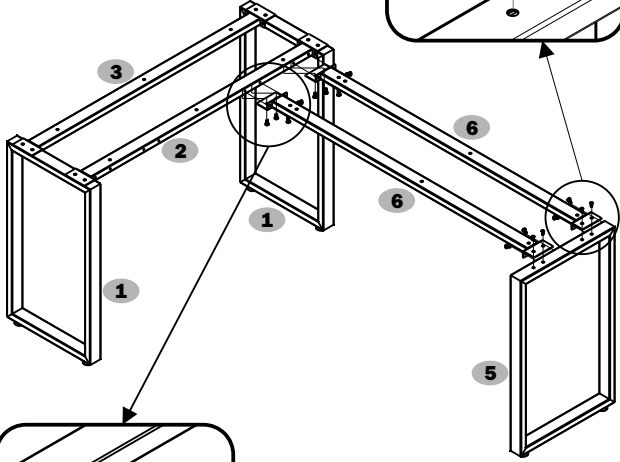


**There are 2 options to assemble our desk, please choose it according to your preference.**



## Option 1

3



### SCREWS

**A** 6X15 MM



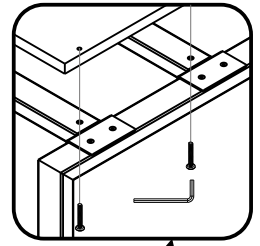
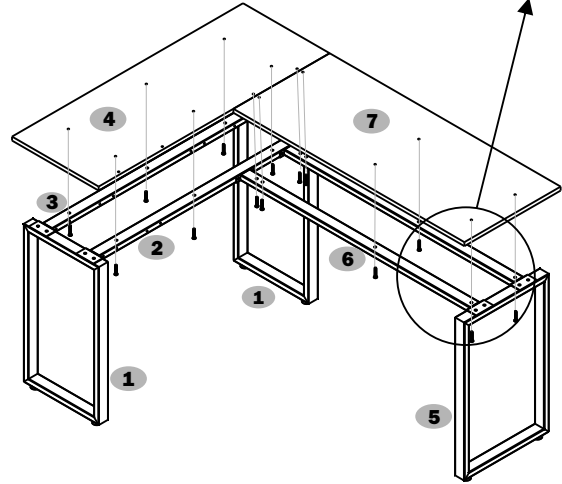
12 PCS

**B** 6X15 MM



4 PCS

4



### SCREWS

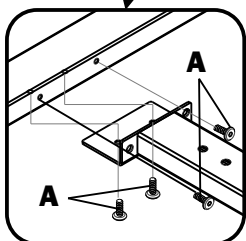
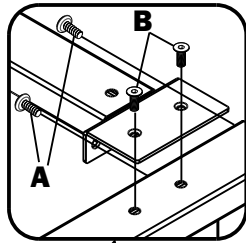
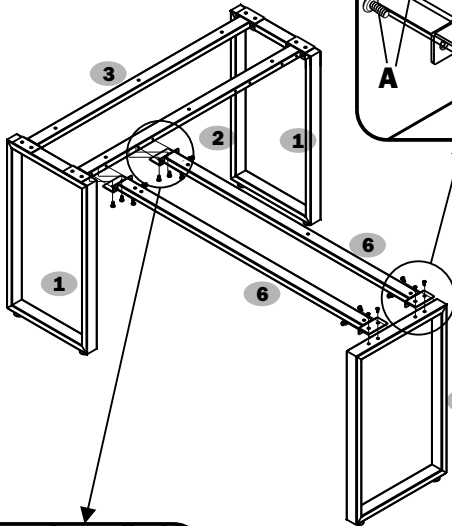
**C** 6X40 MM



14 PCS

## Option 2

3



### SCREWS

**A** 6X15 MM



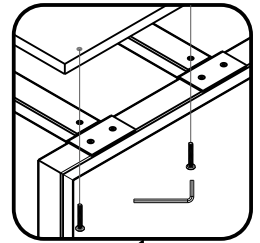
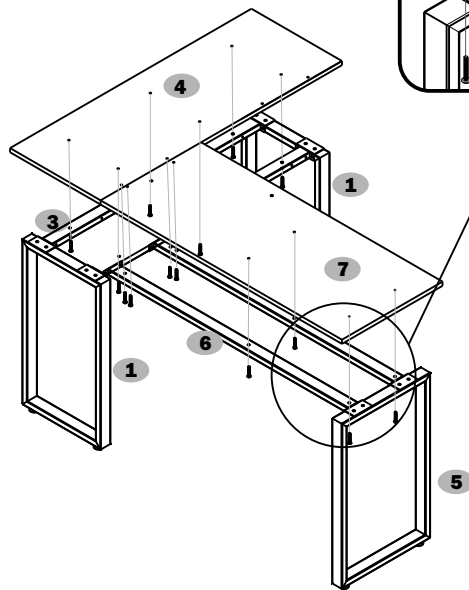
12 PCS

**B** 6X15 MM



4 PCS

4



### SCREWS

**C** 6X40 MM



14 PCS