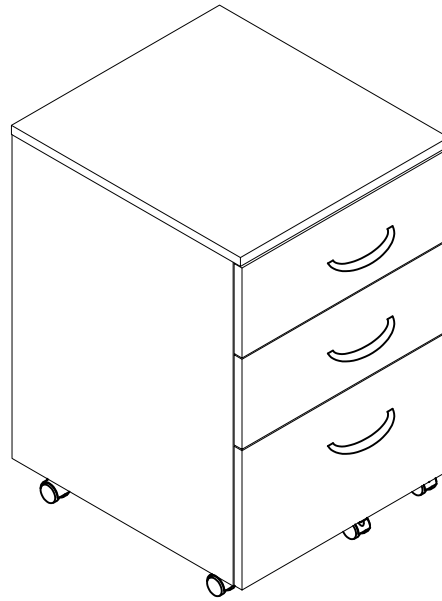


# INSTRUCTIONS/ANLEITUNG/VEJLEDNING INSTRUCTIES/INSTRUKCE

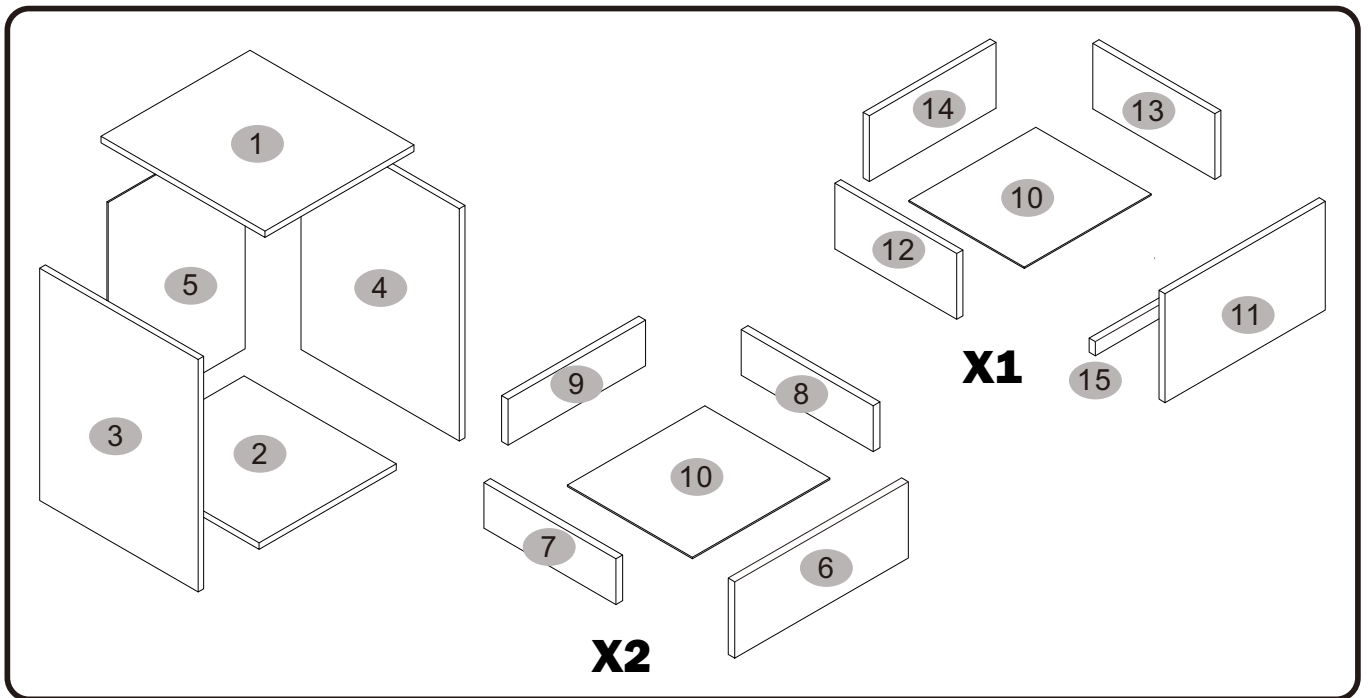


www.twincodk  
www.twincochina.com

6921 Mobile Drawer

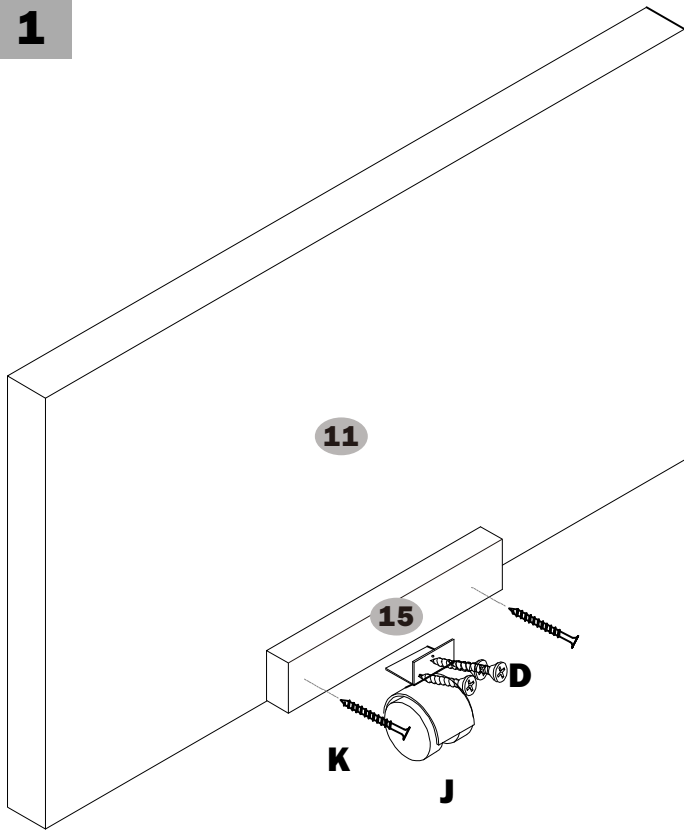


## ■ PARTS LIST

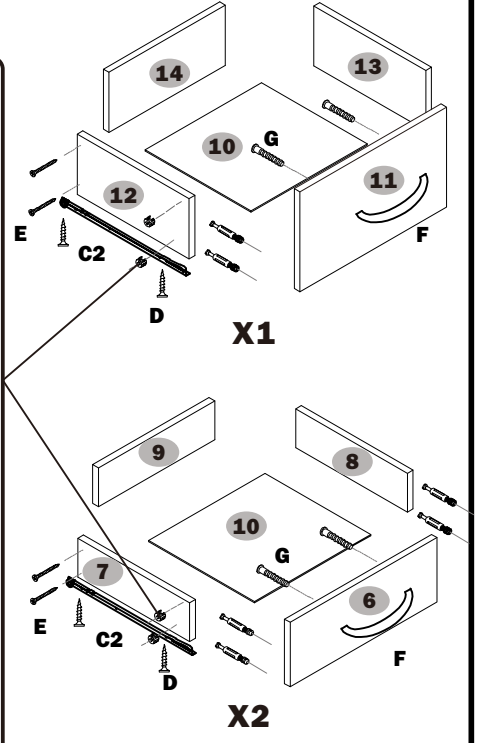
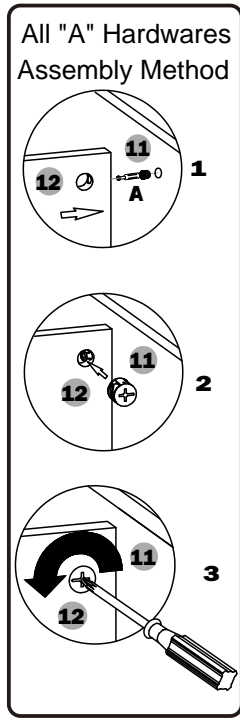


## ■ ACCESSORIES LIST

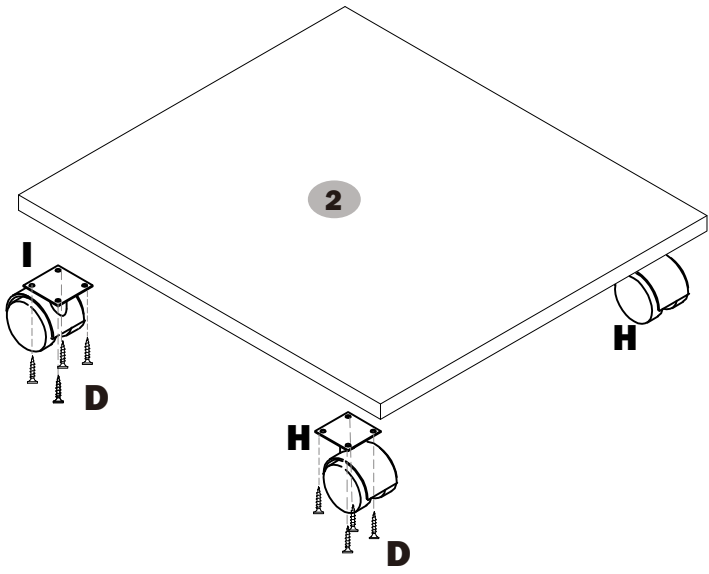
|                           |                           |  |                              |                              |                       |                            |
|---------------------------|---------------------------|--|------------------------------|------------------------------|-----------------------|----------------------------|
| <b>A</b><br><br>20PCS     | <b>B</b> 8x40<br><br>8PCS | <b>C</b> 300mm<br>C1<br><br>C2<br><br>3PCS | <b>D</b> 3.5x14<br><br>43PCS | <b>E</b> 3.5x35<br><br>12PCS | <b>F</b><br><br>3PCS  |                            |
| <b>G</b> 4x18<br><br>6PCS | <b>H</b><br><br>2PCS      | <b>I</b><br><br>2PCS                       | <b>J</b><br><br>1PCS         | <b>K</b> 3.5x20<br><br>2PCS  | <b>L</b><br><br>10PCS | <b>M</b> 3x12<br><br>10PCS |

**1**

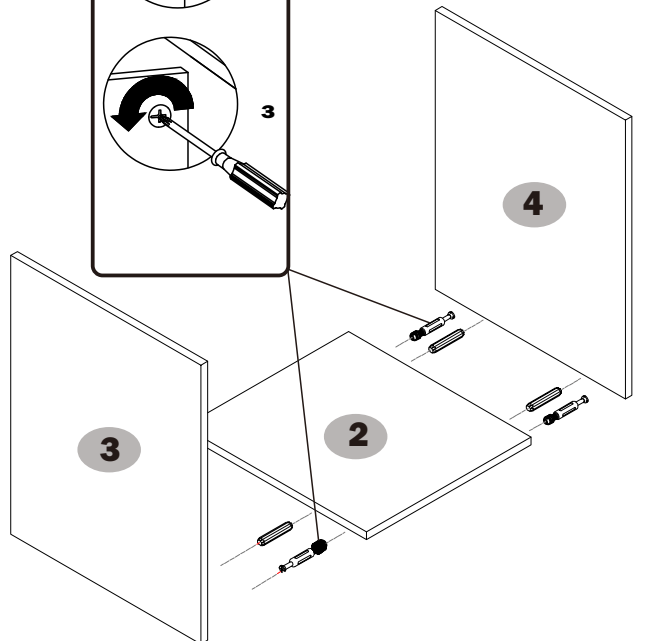
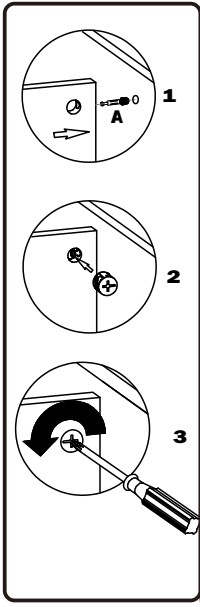
|            |            |            |
|------------|------------|------------|
| <b>Dx3</b> | <b>Jx1</b> | <b>Kx2</b> |
|------------|------------|------------|

**2**

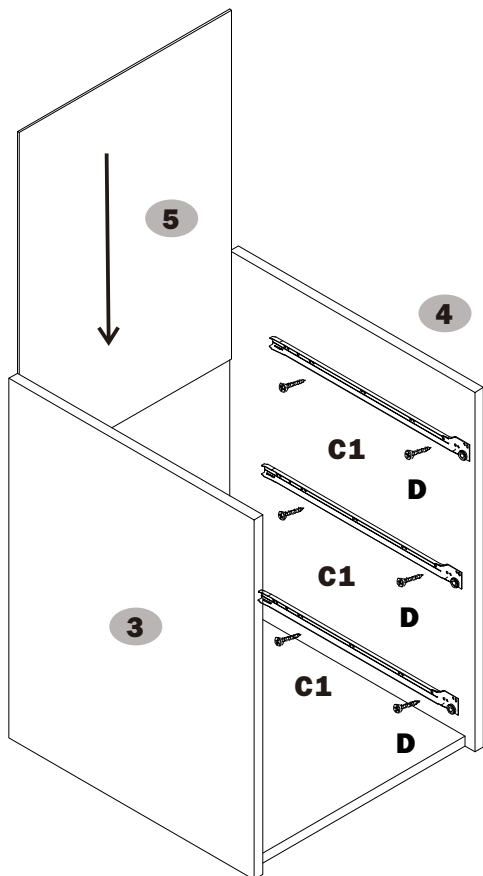
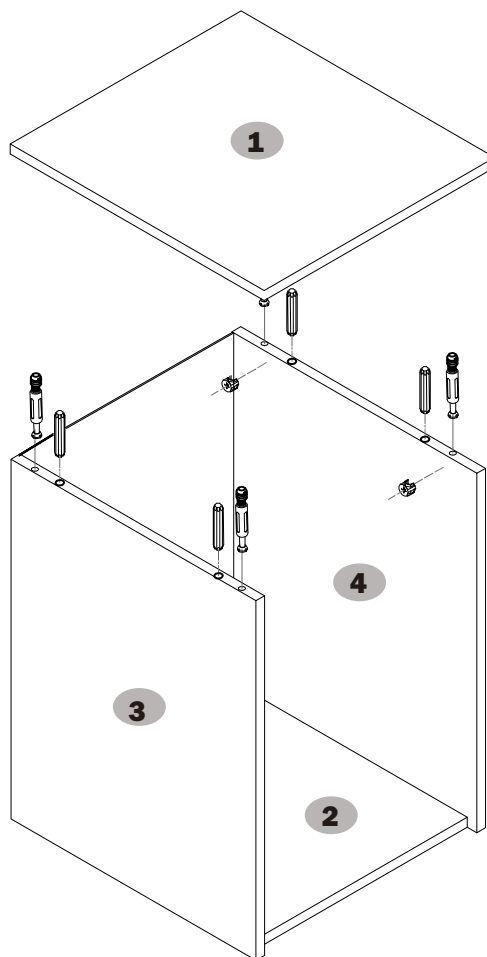
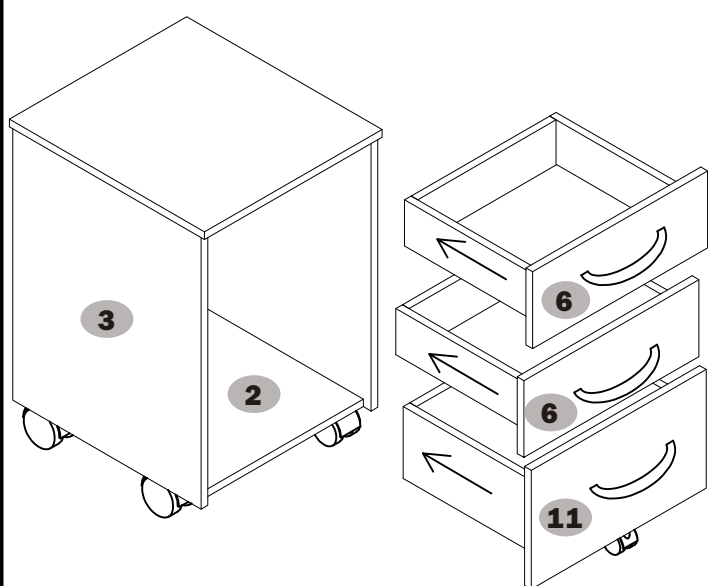
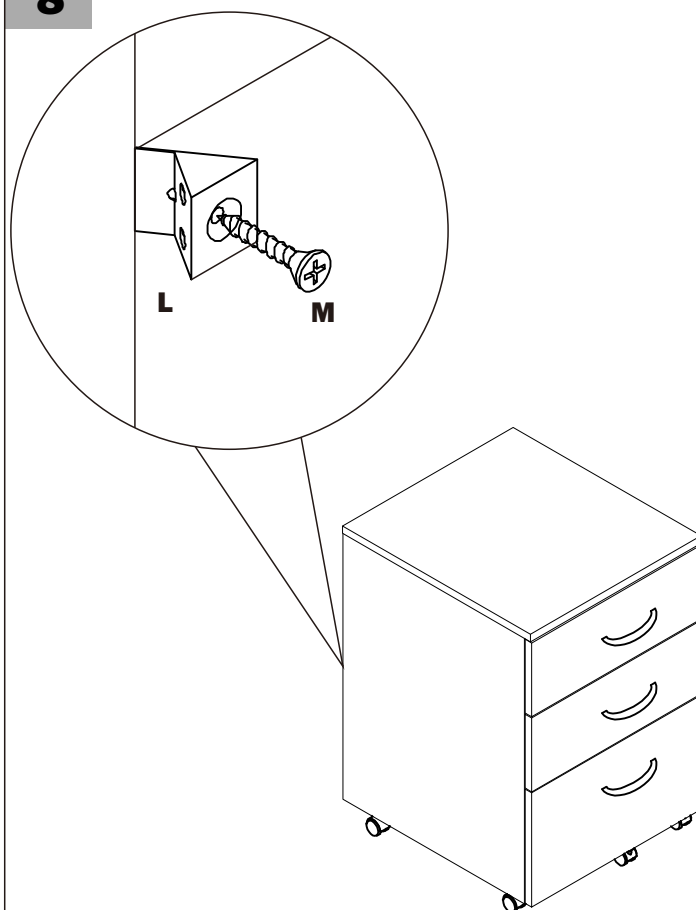
|             |             |             |             |            |            |
|-------------|-------------|-------------|-------------|------------|------------|
| <b>Ax12</b> | <b>C2x6</b> | <b>Dx12</b> | <b>Ex12</b> | <b>Fx3</b> | <b>Gx6</b> |
|-------------|-------------|-------------|-------------|------------|------------|

**3**

|             |            |            |
|-------------|------------|------------|
| <b>Dx16</b> | <b>Hx2</b> | <b>Ix2</b> |
|-------------|------------|------------|

**4**

|            |            |
|------------|------------|
| <b>Ax4</b> | <b>Bx4</b> |
|------------|------------|

**5****C1x6****Dx12****6****Ax4****Bx4****7****8****Lx10****Mx10**