

MOBILE Height-Adjustable Anti-theft Laptop Computer Workstation Security Cart

This Mobile Laptop Computer Workstation provides easy mobility of a laptop with theft-detering security bar. Low-profile platform is angled at 10 degrees for ergonomic operation and allows clearance for interfaces. The security bar on the Mobile Laptop Workstation secures your laptop via included screws or small padlock. The Laptop Security Workstation unit also comes with a retractable mouse tray that can be attached on either side for convenience.

The Laptop Workstation platform measures 396Wx289D and is made of steel affixed to a lightweight and durable aluminum post. Mobile Laptop workstation Unit glides smoothly on five durable casters(3 locking). Optional document holder and printer stand available. Laptop tray fits typical laptops up to 15" screens.

Product Specifications

Model	6871
Description	Mobile Laptop Workstation
Width	660 mm
Height	1350 mm
Depth	660 mm
Color Finish	Silver
Assembly	Unassembled
Type	Mobile Cart
Wheel Type	5 PCS 64mm Casters, 3 lockable
Post Diameter	39.8 mm
Construction	Aluminum



6871



Detailed look



Fit most laptops with up to 15" screens .
Platform is angled at 10 degrees for ergonomic operation



Security bar helps to prevent laptop theft.



Additional security with small padlock (not included).



Retractable mouse tray that attaches to either side.

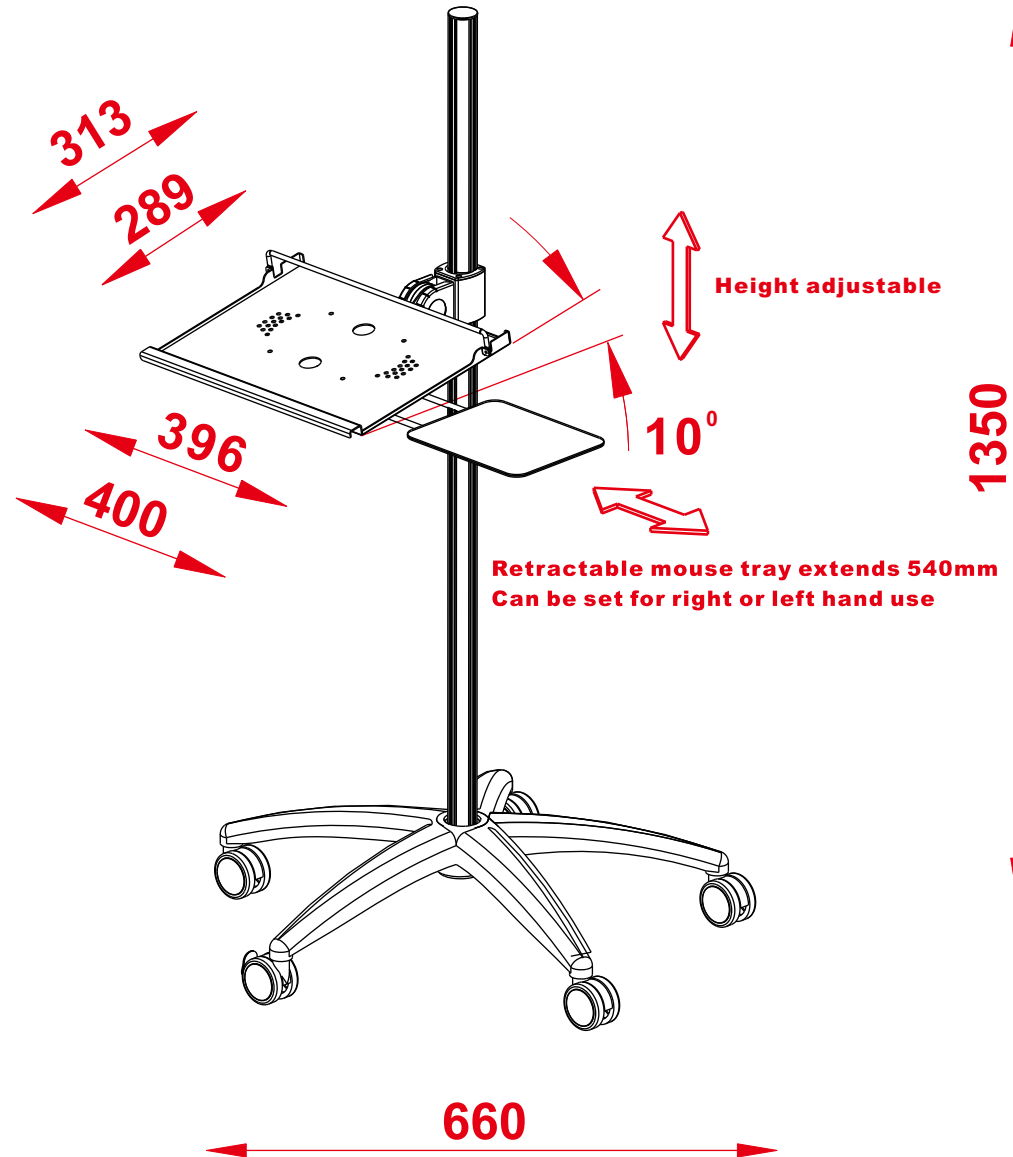


Light and stable Aluminum construction.



Moves easily with dual-wheeled casters.
3 casters include brakes for locking position.

Detailed Description



6871



www.twincodk.com
www.twincochina.com